

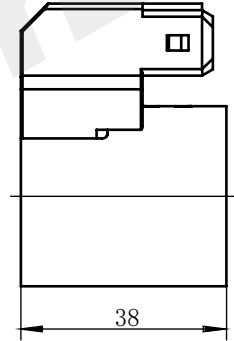
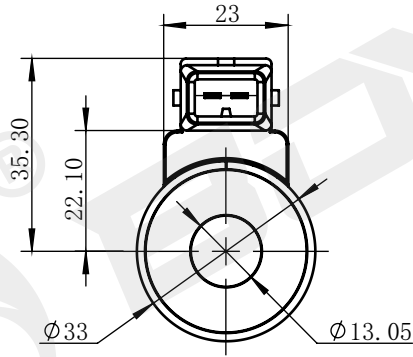
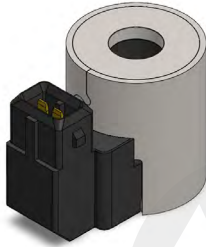
插装阀用线圈

Coil for cartridge valve

BYC12-13-01J

DC 12V
DC 24V

其它规格可定做
Other can be customized



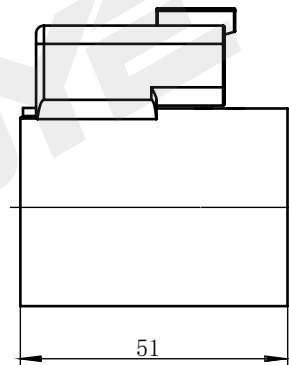
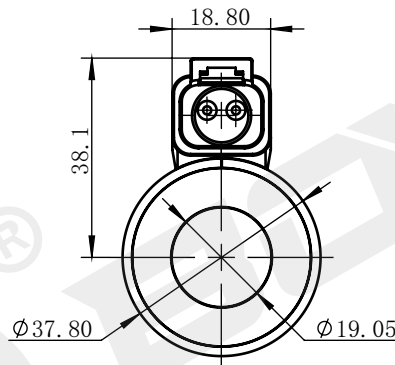
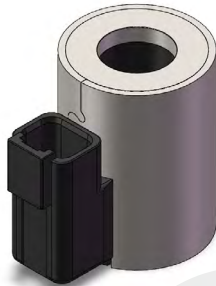
技术参数 /technical parameter

环境温度 Ambienttemperature	°C	-25 ~ 50	防护等级 Degree of protection		IP67
电压波动范围 Voltage fluctuation range	%	85 ~ 110	通电持续率 Power on duration	%	100
额定功率 Rated power	W	20	绝缘等级 Insulation class		H (180)

BYC12-19-01D

DC 12V
DC 24V

其它规格可定做
Other can be customized



技术参数 /technical parameter

环境温度 Ambienttemperature	°C	-25 ~ 50	防护等级 Degree of protection		IP67
电压波动范围 Voltage fluctuation range	%	85 ~ 110	通电持续率 Power on duration	%	100
额定功率 Rated power	W	24/36	绝缘等级 Insulation class		H (180)

样本数据来源于试验室环境，仅供参考，贵公司如需最新数据或有特殊需求，欢迎联系博业液压工程师。
The sample data comes from the laboratory environment and is only for reference. If your company needs the latest data or has special needs, please contact Boye hydraulic engineer.