

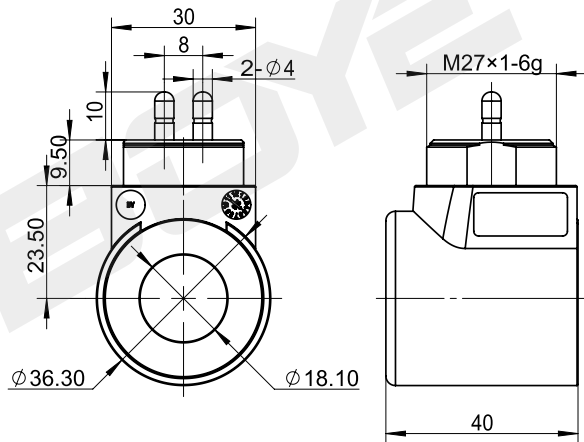
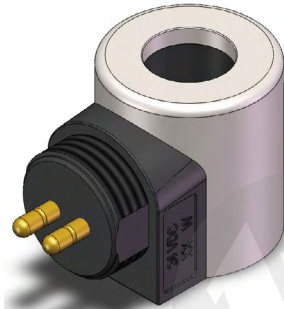
Coil for cartridge valve

BYC06-18-01K27

DC 12V
DC 24V

Other can be customized

Customizable proportions



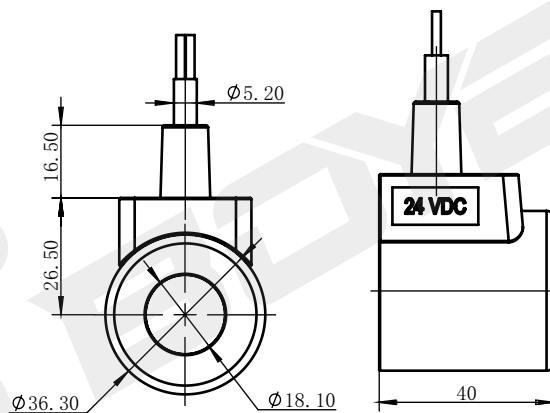
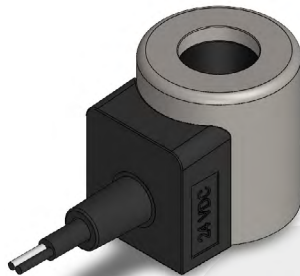
| Technical parameter | | | | | |
|---------------------------|----|----------|----------------------|---|---------|
| Ambient temperature | °C | -25 ~ 50 | Degree of protection | | IP67 |
| Voltage fluctuation range | % | 85 ~ 110 | Power on duration | % | 100 |
| Rated power | W | 20/23/26 | Insulation class | | H (180) |

BYC06-18-02H

DC 12V
DC 24V

Other can be customized

Customizable proportions



| Technical parameter | | | | | |
|---------------------------|----|----------|----------------------|---|---------|
| Ambient temperature | °C | -25 ~ 50 | Degree of protection | | IP67 |
| Voltage fluctuation range | % | 85 ~ 110 | Power on duration | % | 100 |
| Rated power | W | 20/23/26 | Insulation class | | H (180) |