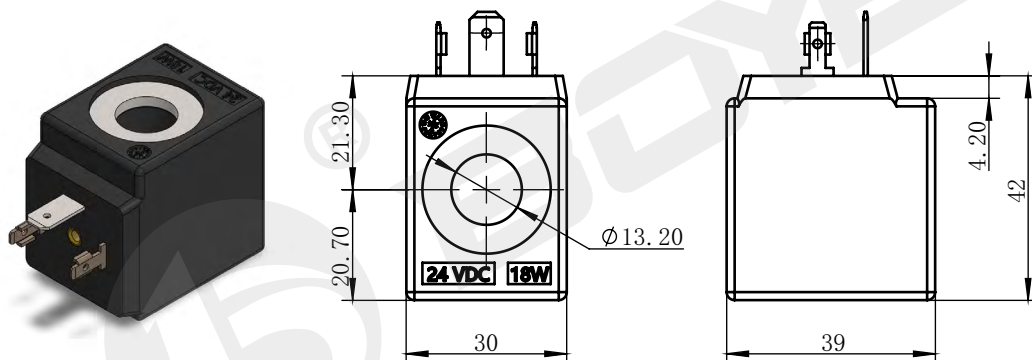


# Coil for cartridge valve

## BYC04-13-04G

**DC 24V**  
**AC 220V**

Other can be customized

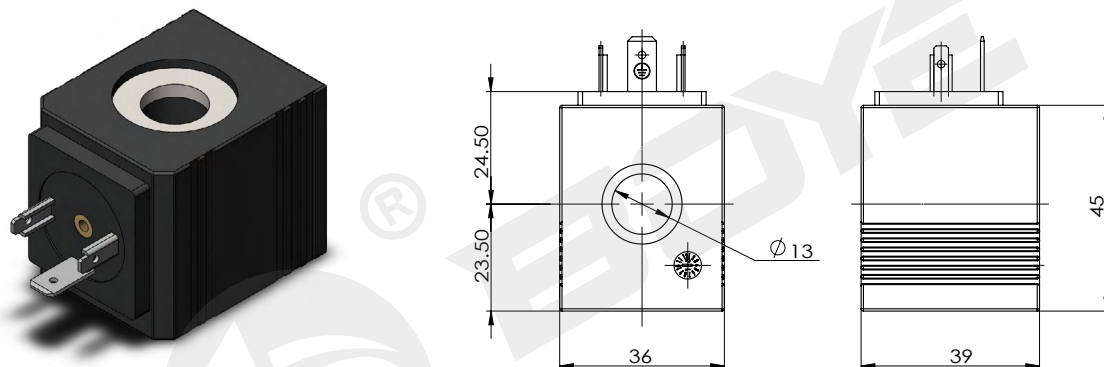


Technical parameter					
Ambient temperature	°C	-25 ~ 50	Degree of protection		IP65
Voltage fluctuation range	%	85 ~ 110	Power on duration	%	100
Rated power	W	18	Insulation class		H (180)

## BYC05-13-01G

**DC 24V**  
**AC 220V**

Other can be customized



Technical parameter					
Ambient temperature	°C	-25 ~ 50	Degree of protection		IP65
Voltage fluctuation range	%	85 ~ 110	Power on duration	%	100
Rated power	W	20	Insulation class		H (180)