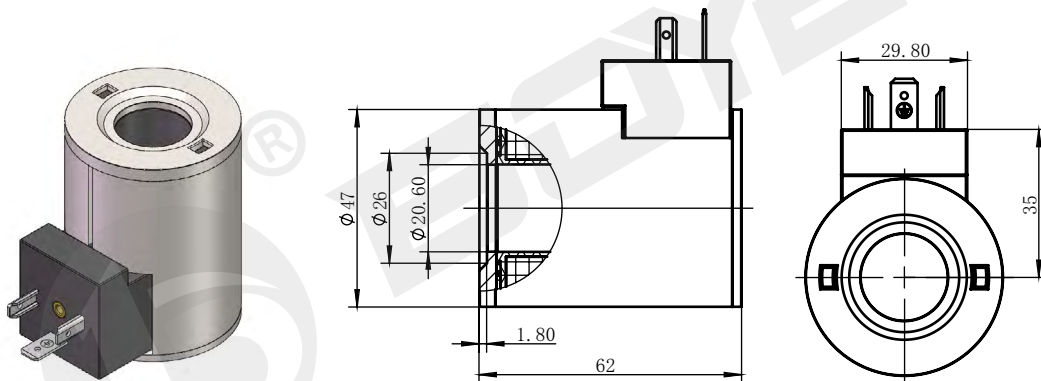


Coil for cartridge valve

BYC01-21-01G

DC 12V
DC 24V

Other can be customized

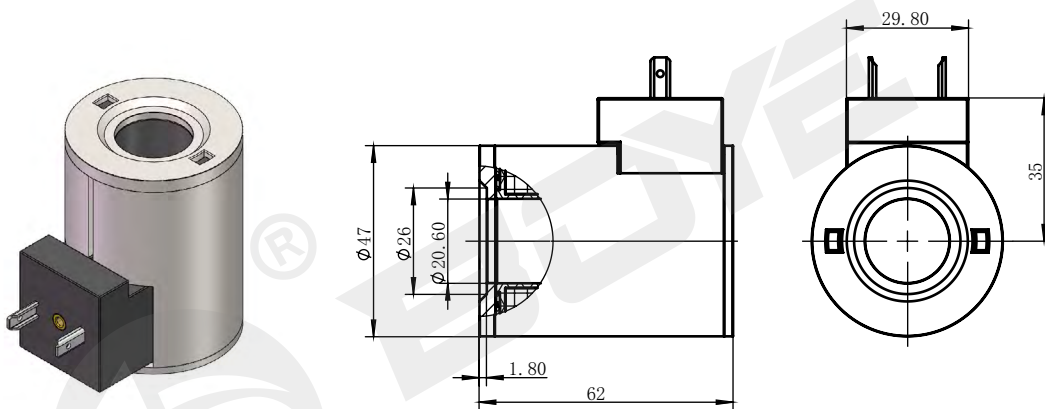


Technical parameter					
Ambient temperature	°C	-25 ~ 50	Degree of protection		IP65
Voltage fluctuation range	%	85 ~ 110	Power on duration	%	100
Rated power	W	32	Insulation class		H (180)

BYC01-21-01S

DC 12V
DC 24V

Other can be customized



Technical parameter					
Ambient temperature	°C	-25 ~ 50	Degree of protection		IP65
Voltage fluctuation range	%	85 ~ 110	Power on duration	%	100
Rated power	W	32	Insulation class		H (180)