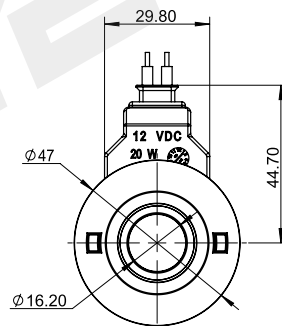
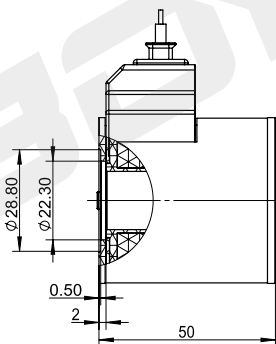
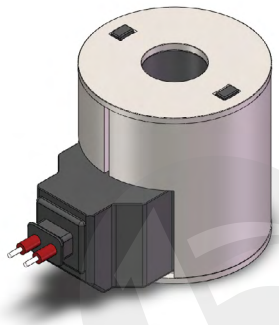


插装阀用线圈

Coil for cartridge valve

BYC01-16-01L

可定制比例型
Customizable proportions



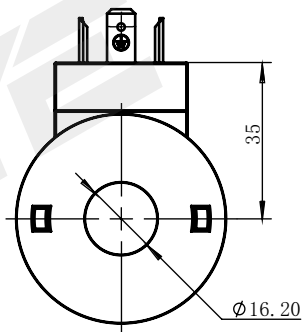
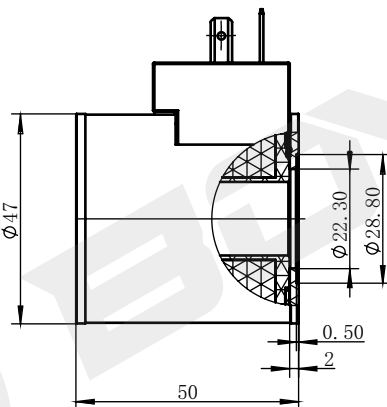
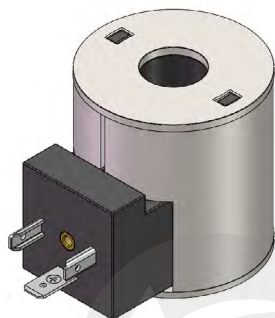
DC 24V
AC 220V

其它规格可定做
Other can be customized

| 技术参数 /technical parameter | | | | | |
|----------------------------------|----|----------|---------------------------|---|---------|
| 环境温度 Ambienttemperature | °C | -25 ~ 50 | 防护等级 Degree of protection | | IP67 |
| 电压波动范围 Voltage fluctuation range | % | 85 ~ 110 | 通电持续率 Power on duration | % | 100 |
| 额定功率 Rated power | W | 20/28 | 绝缘等级 Insulation class | | H (180) |

BYC01-16-01G

可定制比例型
Customizable proportions



DC 24V
AC 220V

其它规格可定做
Other can be customized

| 技术参数 /technical parameter | | | | | |
|----------------------------------|----|----------|---------------------------|---|---------|
| 环境温度 Ambienttemperature | °C | -25 ~ 50 | 防护等级 Degree of protection | | IP65 |
| 电压波动范围 Voltage fluctuation range | % | 85 ~ 110 | 通电持续率 Power on duration | % | 100 |
| 额定功率 Rated power | W | 20/28 | 绝缘等级 Insulation class | | H (180) |

样本数据来源于试验室环境，仅供参考，贵公司如需最新数据或有特殊需求，欢迎联系博业液压工程师。
The sample data comes from the laboratory environment and is only for reference. If your company needs the latest data or has special needs, please contact Boye hydraulic engineer.