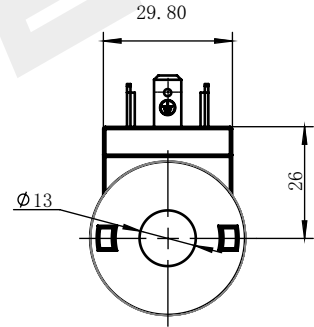
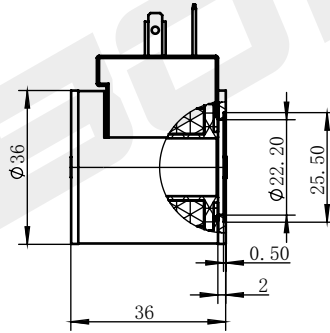
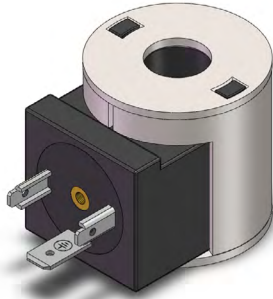


Coil for cartridge valve

BYC01-13-01G

DC 12V
DC 24V

Other can be customized

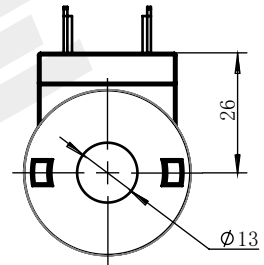
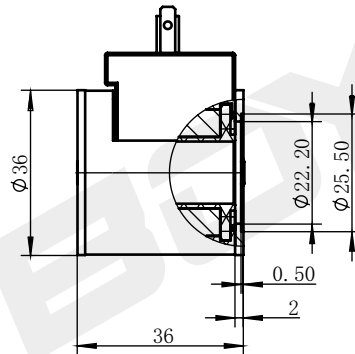
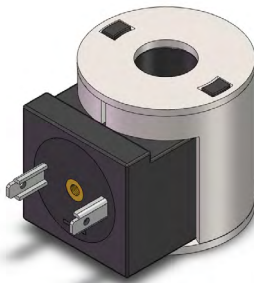


| Technical parameter | | | | | |
|---------------------------|----|----------|----------------------|---|---------|
| Ambient temperature | °C | -25 ~ 50 | Degree of protection | | IP65 |
| Voltage fluctuation range | % | 85 ~ 110 | Power on duration | % | 100 |
| Rated power | W | 16/20 | Insulation class | | H (180) |

BYC01-13-01S

DC 12V
DC 24V

Other can be customized



| Technical parameter | | | | | |
|---------------------------|----|----------|----------------------|---|---------|
| Ambient temperature | °C | -25 ~ 50 | Degree of protection | | IP65 |
| Voltage fluctuation range | % | 85 ~ 110 | Power on duration | % | 100 |
| Rated power | W | 16/20 | Insulation class | | H (180) |