

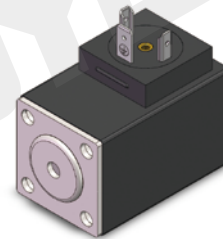
BYS03-36-01G

DC solenoids for hydraulics valves

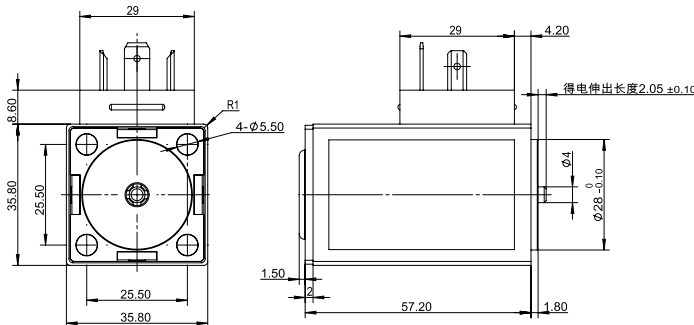
- Suitable for hydraulic solenoid directional valve
- screw connection
- Equipped with manual emergency device

DC 12V
DC 24V

Other can be customized



Outline and connection dimensions



技术参数 /technical parameter		
Ambient temperature	°C	-25~50
Voltage fluctuation range	%	85 ~ 110
Rated power	W	25
Rated stroke	mm	2
Full stroke	mm	≥ 4.1
Working oil pressure	Mpa	≤ 21
Degree of protection		IP65
Operating frequency	T/h	12000
Power on duration	%	100
Insulation class		H(180)
Electrical connection mode		DIN43650

matters needing attention

1. The coil shall not be powered on alone, which has the risk of burning!
2. Non explosion-proof coil shall not be used in medium with explosion risk!
3. After the coil is installed, it must be grounded reliably, otherwise there is a risk of electric shock !

F-S characteristic curve

