

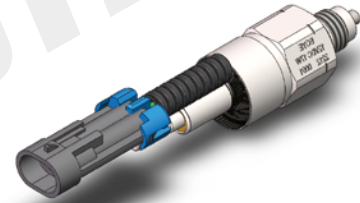
# BYS02-25A-02L

battery valve lock

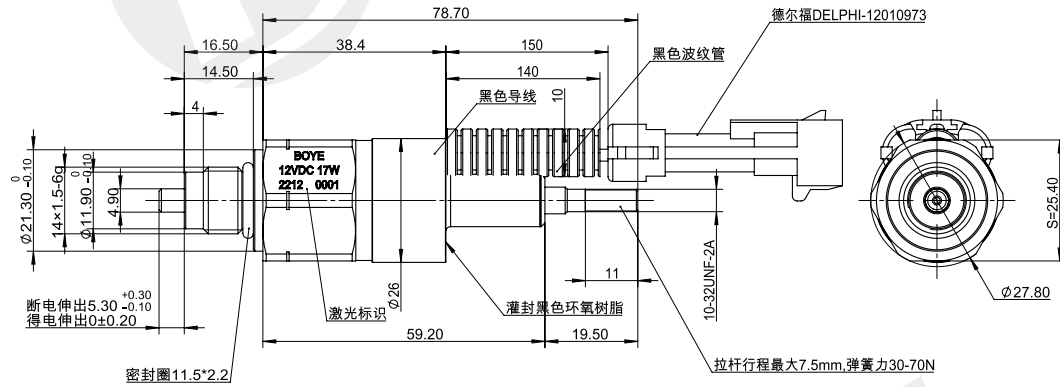
**DC 12V**  
**DC 24V**

Other can be customized

- Suitable for solenoid valve position locking
- Comes with return spring
- Comes with manual emergency device
- Coil full plastic sealing process



## Outline and connection dimensions



## matters needing attention

1. The coil shall not be powered on alone, which has the risk of burning!
2. Non explosion-proof coil shall not be used in medium with explosion risk!
3. After the coil is installed, it must be grounded reliably, otherwise there is a risk of electric shock !

technical parameter		
Ambient temperature	°C	-25~50
Rated voltage	VDC	12
Rated resistance	Ω	8.5
Rated stroke	mm	5
Repetition accuracy	%	≤ 1
Degree of protection		IP67
Power on duration	%	100
Insulation class		H (180)
Electrical connection mode		Two-wire

The sample data comes from the laboratory environment and is only for reference. If your company needs the latest data or has special needs, please contact Boye hydraulic engineer.