

BYM01-18-01MD

螺纹插装阀用电磁铁

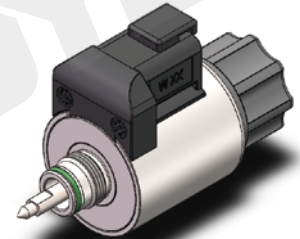
Solenoid for threaded cartridge valve

DC 12V
DC 24V

其它规格可定做
Other can be customized

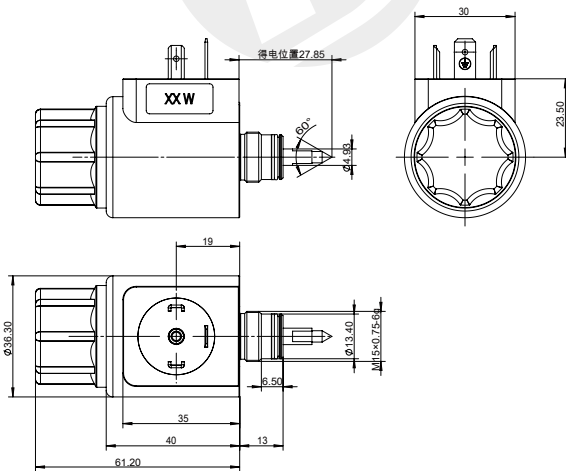
- 适用于 4 通径液压电磁减压阀
- 配备手动调整装置
- 防尘防水设计
- 线圈内孔 $\phi 18$ ，全塑封工艺

- Applicable to 4-way solenoid hydraulic pressure reducing valve
- Equipped with manual adjustment device
- Dustproof and waterproof design
- Coil inner hole $\phi 18$. All-plastic sealing process



外形及连接尺寸

Outline and connection dimensions

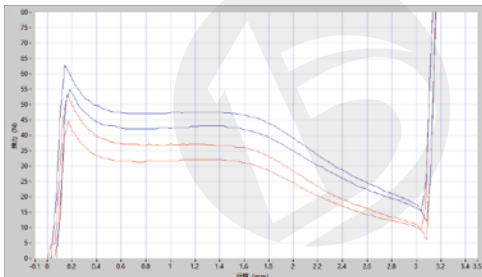


技术参数 / technical parameter

环境温度 Ambient temperature	°C	-25~50
电压波动范围 Voltage fluctuation range	%	85 ~ 110
额定功率 Rated power	W	16
额定行程 Rated stroke	mm	1.5
全行程 Full stroke	mm	≥ 3
工作油压 Working oil pressure	Mpa	≤ 21
防护等级 Degree of protection		IP67
操作频率 Operating frequency	T/h	12000
通电持续率 Power on duration	%	100
绝缘等级 Insulation class		H(180)
电气连接方式 Electrical connection mode		DT04-2P

力 - 位移特性曲线

F-S characteristic curve



注意事项

matters needing attention

1. 线圈不得单独通电使用，有烧损风险！
2. 非防爆线圈，不得使用在有爆炸危险的介质中！
3. 线圈安装后，必须接地可靠，否则有触电危险！

1. The coil shall not be powered on alone, which has the risk of burning!
2. Non explosion-proof coil shall not be used in medium with explosion risk!
3. After the coil is installed, it must be grounded reliably, otherwise there is a risk of electric shock !