

BYZ16-40A-01G

DC solenoids for hydraulics valves

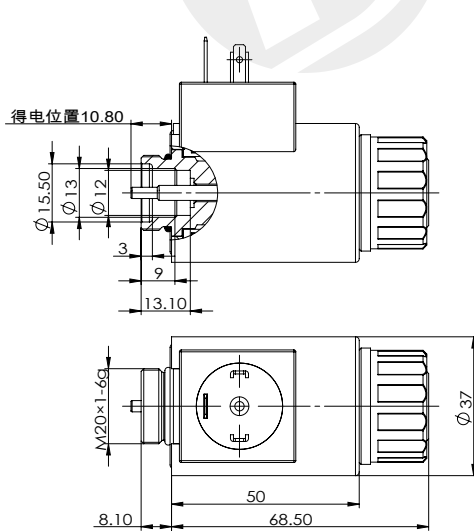
DC 24V
AC 220V

Other can be customized

- Applicable to 4-way hydraulic solenoid directional valve
- With threaded connection, the coil can be replaced without shutdown
- Equipped with manual emergency device
- Coil inner hole $\phi 19$



Outline and connection dimensions



| technical parameter | | |
|----------------------------|-----|------------|
| Ambient temperature | °C | -25~50 |
| Voltage fluctuation range | % | 85 ~ 110 |
| Rated power | W | 22 |
| Rated stroke | mm | 2 |
| Full stroke | mm | ≥ 4.5 |
| Working oil pressure | Mpa | ≤ 21 |
| Degree of protection | | IP65 |
| Operating frequency | T/h | 12000 |
| Power on duration | % | 100 |
| Insulation class | | H(180) |
| Electrical connection mode | | DIN43650 |

matters needing attention

1. The coil shall not be powered on alone, which has the risk of burning!
2. Non explosion-proof coil shall not be used in medium with explosion risk!
3. After the coil is installed, it must be grounded reliably, otherwise there is a risk of electric shock !

F-S characteristic curve

