

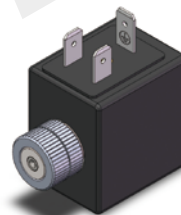
# BYZ03-13-01G

DC solenoids for hydraulics valves

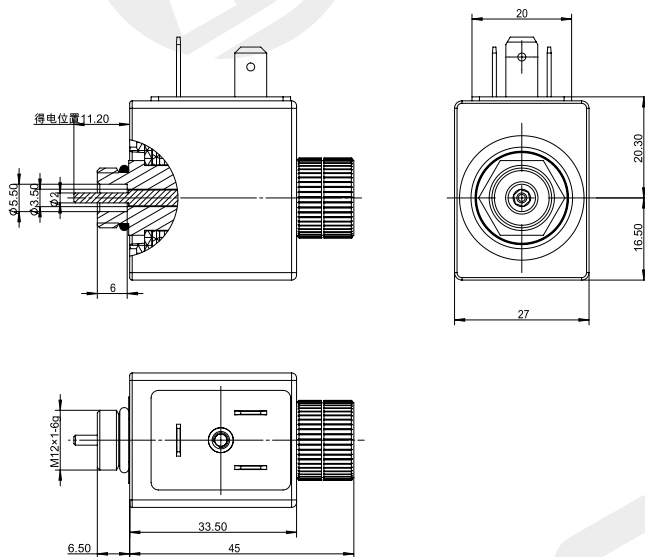
**DC 24V**  
**AC 220V**

Other can be customized

- Applicable to hydraulic solenoid directional valve
- With threaded connection, the coil can be replaced without shutdown
- Equipped with manual emergency device
- Coil inner hole  $\phi 13$



## Outline and connection dimensions



## technical parameter

Ambient temperature	°C	-25~50
Voltage fluctuation range	%	85 ~ 110
Rated power	W	25
Rated stroke	mm	1.5
Full stroke	mm	$\geq 3$
Working oil pressure	Mpa	$\leq 21$
Degree of protection		IP65
Operating frequency	T/h	12000
Power on duration	%	100
Insulation class		H(180)
Electrical connection mode		DIN43650

## matters needing attention

1. The coil shall not be powered on alone, which has the risk of burning!
2. Non explosion-proof coil shall not be used in medium with explosion risk!
3. After the coil is installed, it must be grounded reliably, otherwise there is a risk of electric shock !

## F-S characteristic curve

