

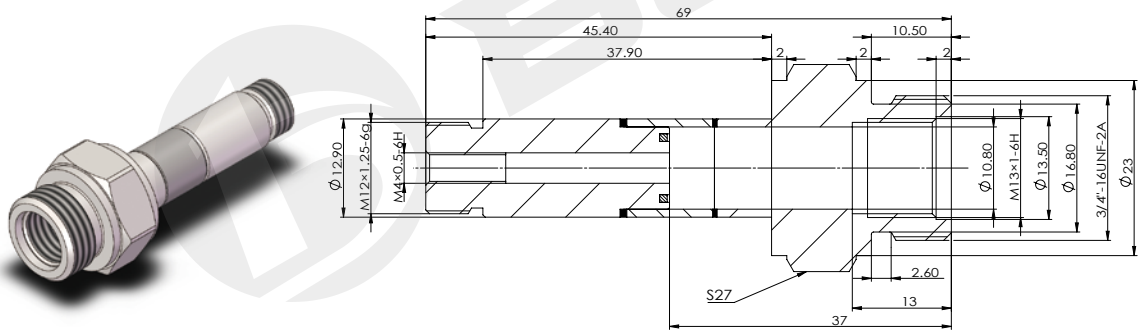
# BYT03/04

## 插装阀用导磁套

Magnetic guide tube for cartridge valve

- 拉式，三段氩弧焊接，外六角螺纹连接
- Pull type, Three stage welding, External hexagon thread connection

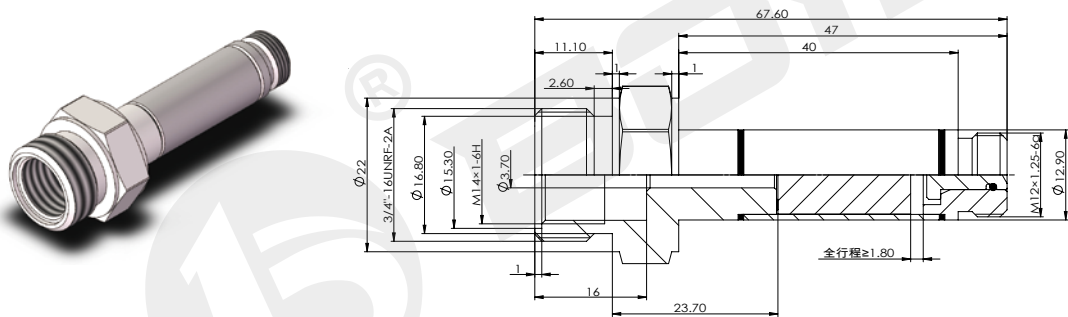
### BYT03-13-01M



技术参数 /technical parameter

工作油压 Working oil pressure	MPa	≤ 21	六角尺寸 Hexagon size	mm	27
---------------------------	-----	------	-------------------	----	----

### BYT04-13-01M



技术参数 /technical parameter

工作油压 Working oil pressure	MPa	≤ 21	六角尺寸 Hexagon size	mm	22.2
---------------------------	-----	------	-------------------	----	------

样本数据来源于试验室环境，仅供参考，贵公司如需最新数据或有特殊需求，欢迎联系博业液压工程师。  
The sample data comes from the laboratory environment and is only for reference. If your company needs the latest data or has special needs, please contact BoYe hydraulic engineer.