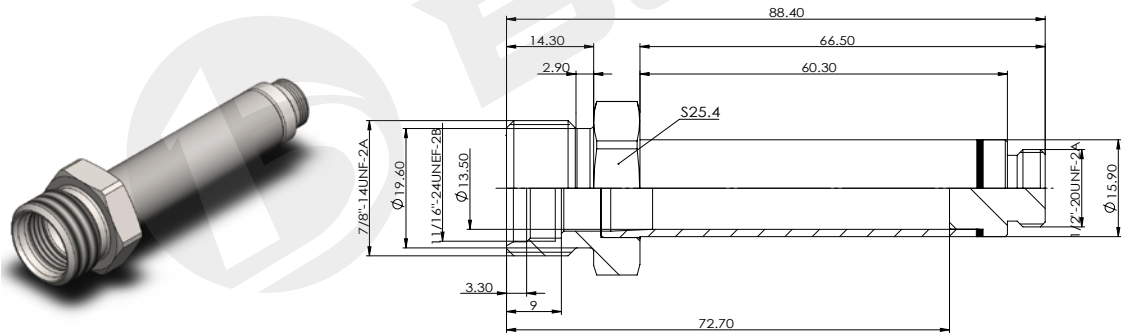


# BYT02

Magnetic guide tube for cartridge valve

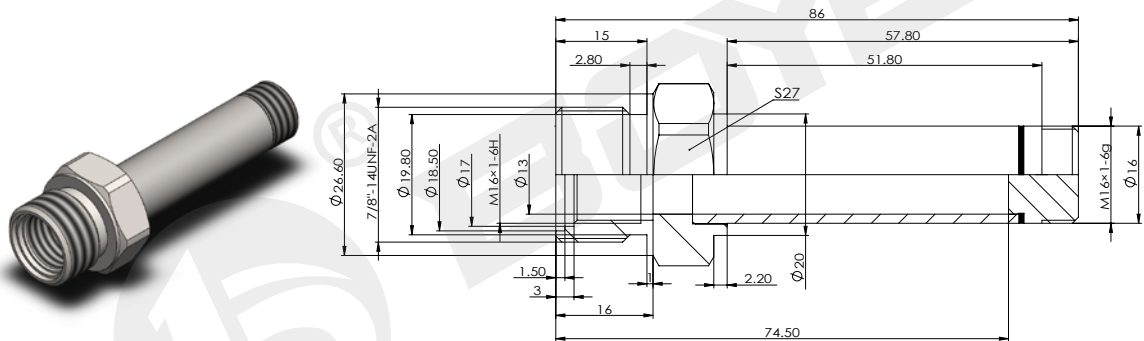
- Push type, Three stage welding, External hexagon thread connection

## BYT02-16-01



technical parameter					
Working oil pressure	MPa	≤ 21	Hexagon size	mm	25.4

## BYT02-16A-01



technical parameter					
Working oil pressure	MPa	≤ 21	Hexagon size	mm	27

The sample data comes from the laboratory environment and is only for reference. If your company needs the latest data or has special needs, please contact Boye hydraulic engineer.