

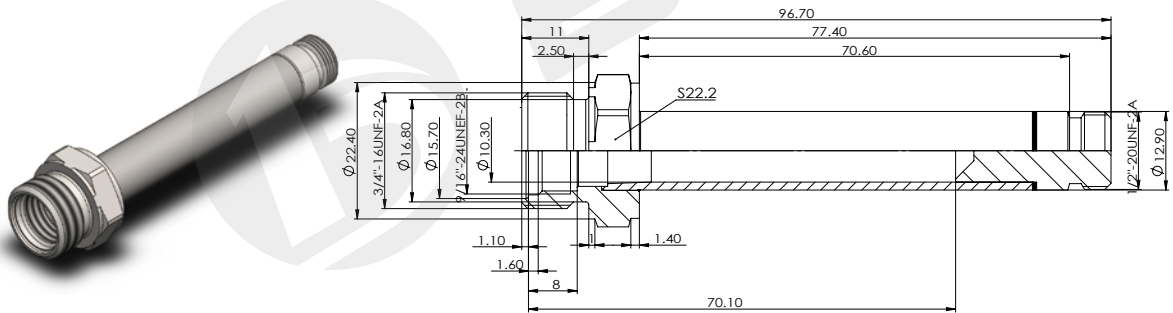
# BYT01

Magnetic guide tube for cartridge valve

- Pull type, Three stage welding, External hexagon thread connection

## BYT01-S13-01

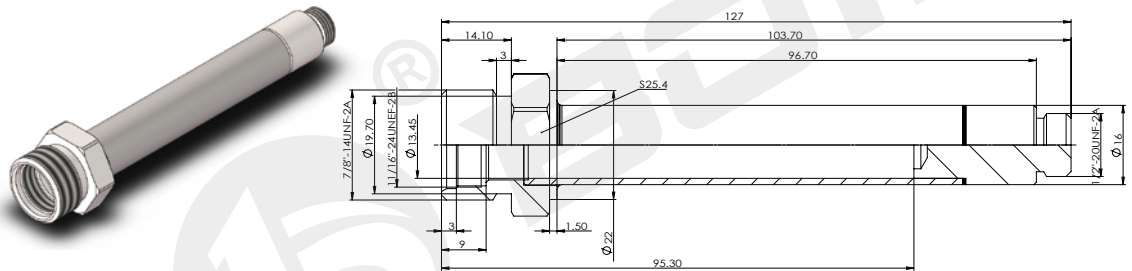
Two way push-pull type



technical parameter					
Working oil pressure	MPa	≤ 21	Hexagon size	mm	22.2

## BYT01-S16-01

Two way push-pull type



technical parameter					
Working oil pressure	MPa	≤ 21	Hexagon size	mm	25.4