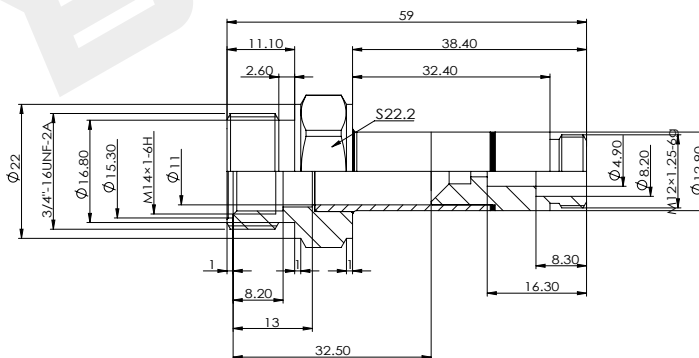


# BYT01

Magnetic guide tube for cartridge valve

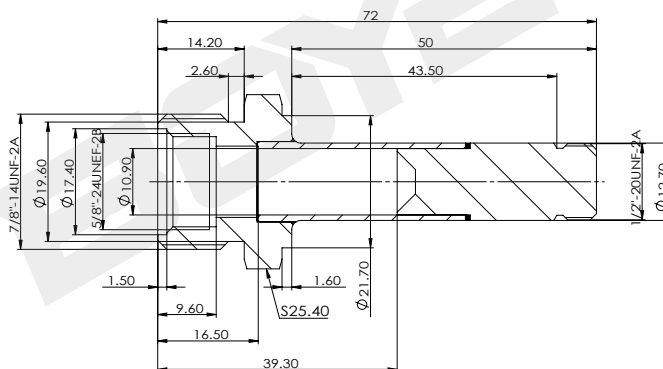
- Pull type, Three stage welding, External hexagon thread connection

## BYT01-13-02M



technical parameter					
Working oil pressure	MPa	≤ 21	Hexagon size	mm	22.2

## BYT01-13A-01



technical parameter					
Working oil pressure	MPa	≤ 21	Hexagon size	mm	25.4