

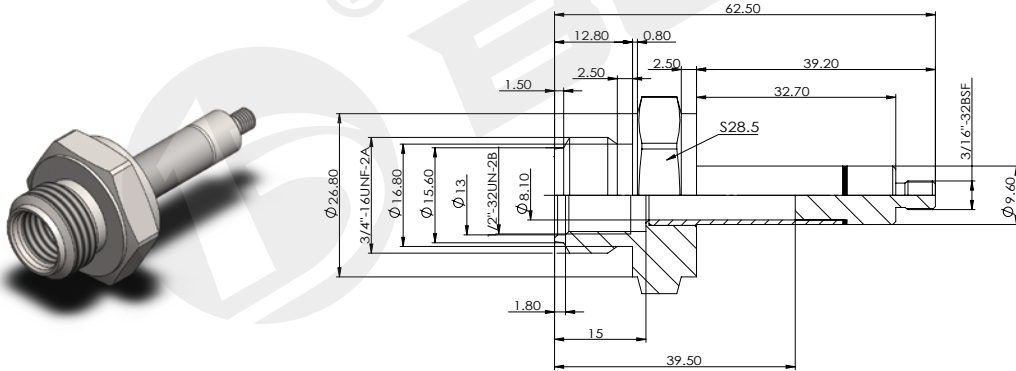
BYT01

插装阀用导磁套

Magnetic guide tube for cartridge valve

- 拉式，三段氩弧焊接，外六角螺纹连接
- Pull type, Three stage welding, External hexagon thread connection

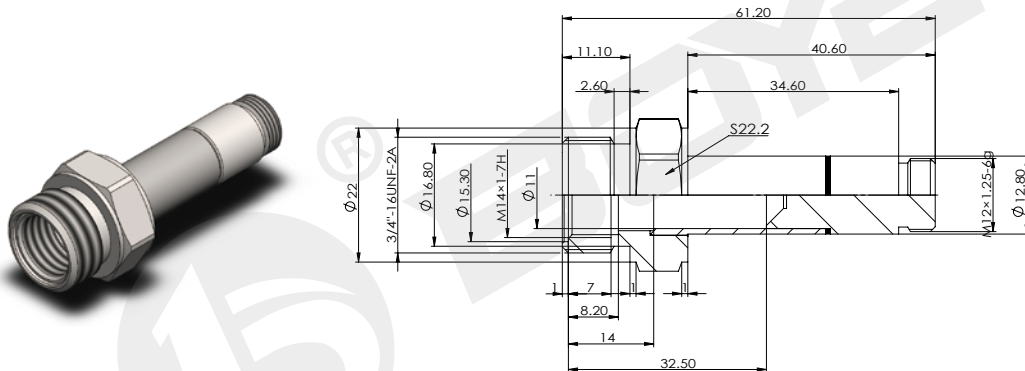
BYT1-10-01



技术参数 /technical parameter

工作油压 Working oil pressure	MPa	≤ 21	六角尺寸 Hexagon size	mm	28.5
---------------------------	-----	------	-------------------	----	------

BYT1-13-01



技术参数 /technical parameter

工作油压 Working oil pressure	MPa	≤ 21	六角尺寸 Hexagon size	mm	22.2
---------------------------	-----	------	-------------------	----	------