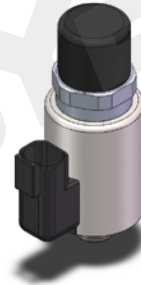


BYG07-37-03MD

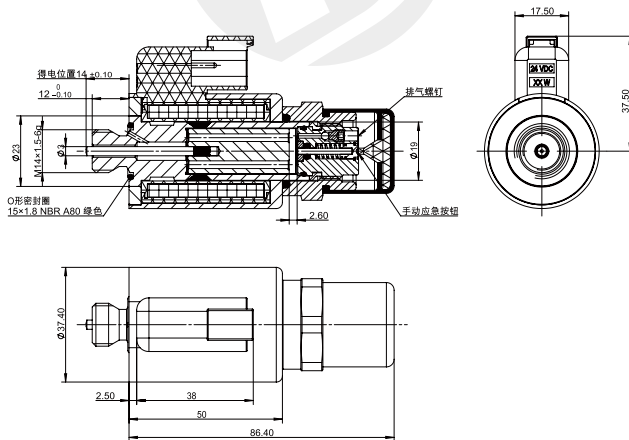
Electromagnet for proportional valve

DC12V 1.2A
DC24V 0.6A
Other can be customized

- Applicable to 5-way electro-hydraulic proportional directional valve
- Equipped with manual adjustment device
- Dust and waterproof design
- Coil inner hole $\phi 19$. All-plastic sealing process

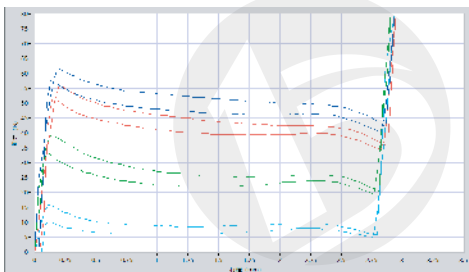


Outline and connection dimensions



technical parameter			
Ambient temperature	°C	-25~50	
Rated voltage	VDC	12	24
Rated current	A	1.2	0.6
Maximum current	A	1.36	0.68
Rated resistance	Ω	5.75	23
Rated stroke	mm	2.4	
Full stroke	mm	2.7	
Rated thrust	N	40	
Force hysteresis	%	≤ 4	
Current hysteresis	%	≤ 4	
Repetition accuracy	%	≤ 1	
Working oil pressure	MPa	≤ 21	
Degree of protection		IP67	
Power on duration	%	100	
Insulation class		H (180)	
Electrical connection mode		DT04-2P	

F-S characteristic curve



matters needing attention

1. After the first use or long-term shutdown, please exhaust the air in the system first!
2. It can be installed in any direction, and it is recommended to install horizontally.