

# BYG07-37-02G

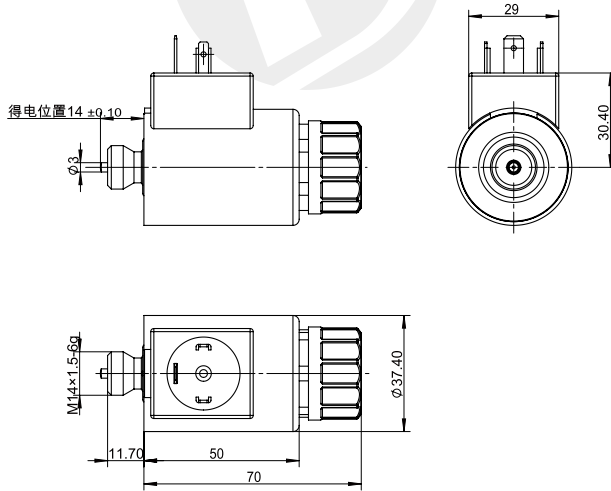
Electromagnet for proportional valve

**DC12V 1.2A**  
**DC24V 0.6A**  
 Other can be customized

- Applicable to 5-way electro-hydraulic proportional directional valve
- Equipped with manual adjustment device
- Coil inner hole  $\phi 19$ . All-plastic sealing process

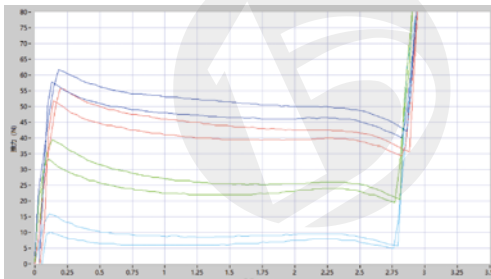


## Outline and connection dimensions



technical parameter			
Ambient temperature	°C	-25~50	
Rated voltage	VDC	12	24
Rated current	A	1.2	0.6
Maximum current	A	1.36	0.68
Rated resistance	$\Omega$	5.75	23
Rated stroke	mm	2.4	
Full stroke	mm	2.7	
Rated thrust	N	40	
Force hysteresis	%	$\leq 4$	
Current hysteresis	%	$\leq 4$	
Repetition accuracy	%	$\leq 1$	
Working oil pressure	MPa	$\leq 21$	
Degree of protection		IP65	
Power on duration	%	100	
Insulation class		H (180)	
Electrical connection mode		DIN43650	

## F-S characteristic curve



## matters needing attention

1. After the first use or long-term shutdown, please exhaust the air in the system first!
2. It can be installed in any direction, and it is recommended to install horizontally.