

BYG06-45-01MD

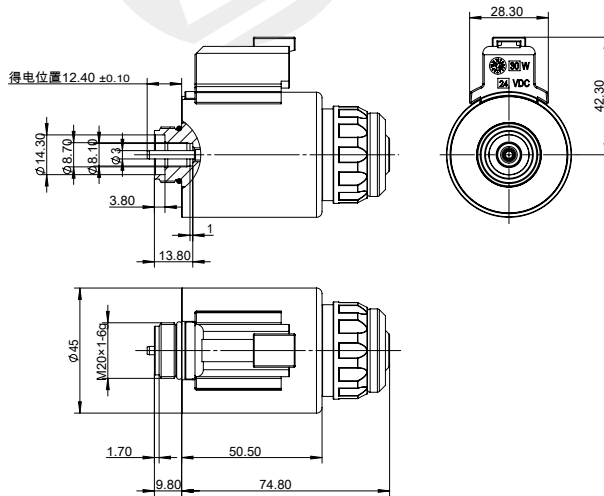
Electromagnet for proportional valve

DC12V 1.5A
DC24V 0.75A
Other can be customized

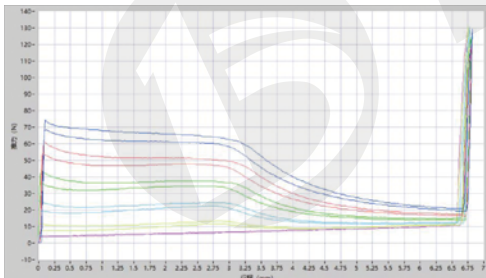
- Applicable to 6-way hydraulic proportional solenoid valve
- Threaded connection, coil can be replaced without stopping
- Equipped with manual emergency device
- Equipped with manual adjustment device (built-in spring)
- Coil inner hole $\phi 23$. All-plastic sealing process



Outline and connection dimensions



F-S characteristic curve



technical parameter			
Ambient temperature	°C	-25~50	
Rated voltage	VDC	12	24
Rated current	A	1.5	0.75
Maximum current	A	1.6	0.8
Rated resistance	Ω	5	20
Rated stroke	mm	3	
Full stroke	mm	6.8	
Rated thrust	N	60	
Force hysteresis	%	≤ 4	
Current hysteresis	%	≤ 4	
Repetition accuracy	%	≤ 1	
Working oil pressure	MPa	≤ 21	
Degree of protection		IP67	
Power on duration	%	100	
Insulation class		H (180)	
Electrical connection mode		DT04-2P	

matters needing attention

1. After the first use or long-term shutdown, please exhaust the air in the system first!
2. It can be installed in any direction, and it is recommended to install horizontally.

The sample data comes from the laboratory environment and is only for reference. If your company needs the latest data or has special needs, please contact Boye hydraulic engineer.