

BYG05-45-01MG

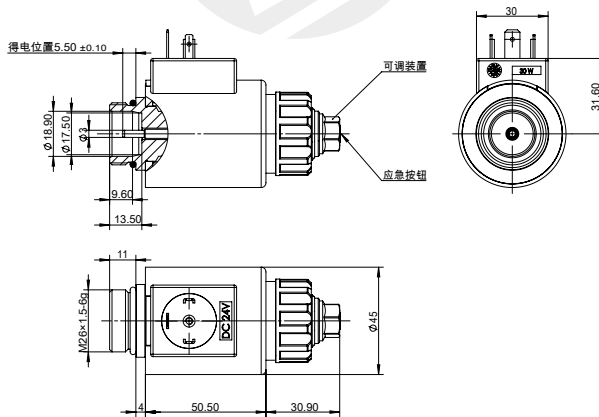
Electromagnet for proportional valve

DC12V 2.36A
DC24V 1.18A
 Other can be customized

- Applicable to 6-way hydraulic proportional solenoid valve
- Threaded connection, coil can be replaced without stopping
- Equipped with manual emergency device
- Equipped with manual adjustment device (built-in spring)
- Coil inner hole $\phi 23$. All-plastic sealing process

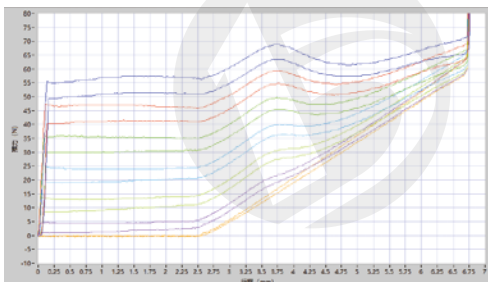


Outline and connection dimensions



technical parameter			
Ambient temperature	°C	-25~50	
Rated voltage	VDC	12	24
Rated current	A	2.36	1.18
Maximum current	A	2.4	1.2
Rated resistance	Ω	2.5	10
Rated stroke	mm	3.2	
Full stroke	mm	6.5	
Rated thrust	N	50	
Force hysteresis	%	≤ 4	
Current hysteresis	%	≤ 4	
Repetition accuracy	%	≤ 1	
Working oil pressure	MPa	≤ 21	
Degree of protection		IP65	
Power on duration	%	100	
Insulation class		H (180)	
Electrical connection mode		DIN43650	

F-S characteristic curve



matters needing attention

1. After the first use or long-term shutdown, please exhaust the air in the system first!
2. It can be installed in any direction, and it is recommended to install horizontally.