

# BYG02-33-01T

Electromagnet for proportional valve

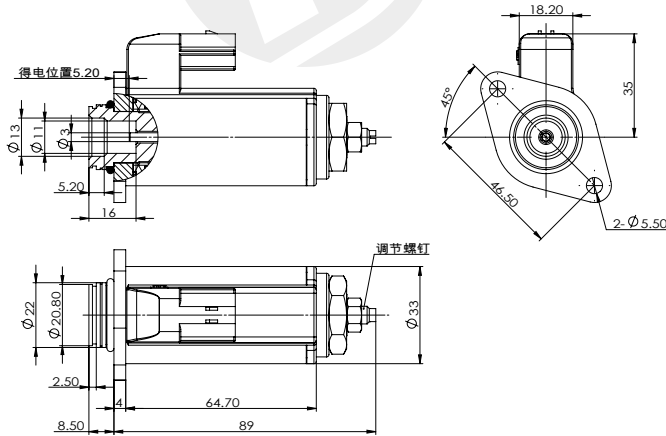
## 0.7A 17.5Ω

Other can be customized

- For screw cartridge proportional solenoid valves
- 2-screw connection
- Equipped with manual adjustment device

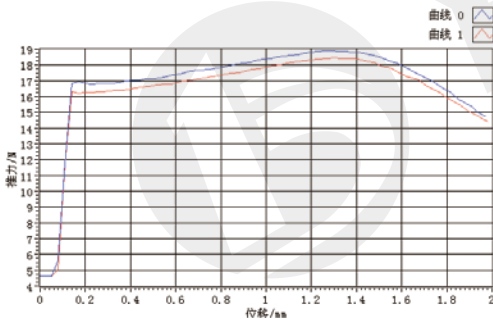


### Outline and connection dimensions



technical parameter		
Ambient temperature	°C	-25~40
Rated current	A	0.7
Maximum current	A	0.8
Rated resistance	Ω	17.5
Rated stroke	mm	1.5
Full stroke	mm	2.5
Rated thrust	N	18
Force hysteresis	%	≤ 3
Current hysteresis	%	≤ 3
Repetition accuracy	%	≤ 1
Working oil pressure	MPa	≤ 8.8
Degree of protection		IP67
Power on duration	%	100
Insulation class		H(180)
Electrical connection mode		customized

### F-S characteristic curve



### matters needing attention

1. After the first use or long-term shutdown, please exhaust the air in the system first!
2. It can be installed in any direction, and it is recommended to install horizontally.