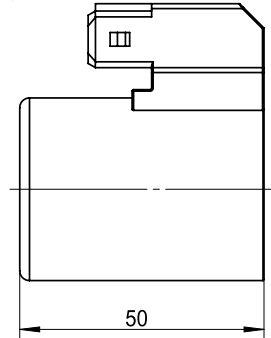
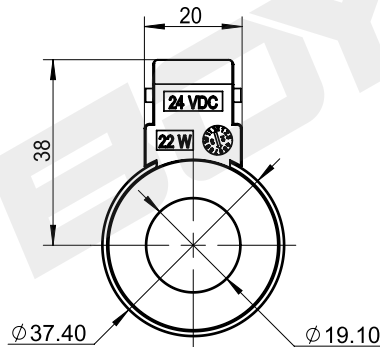
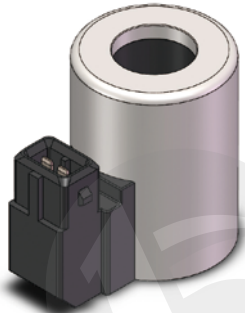


Coil for cartridge valve

BYC06-19-02J

Customizable proportions



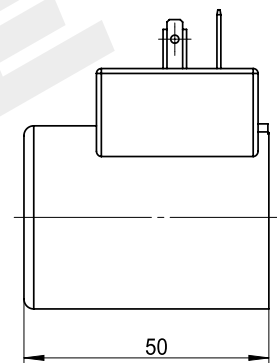
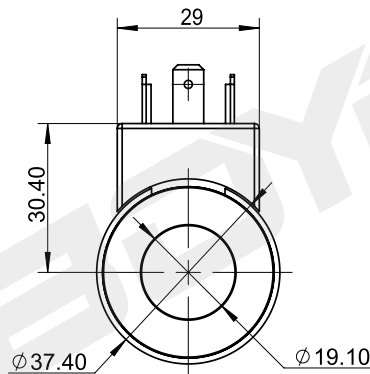
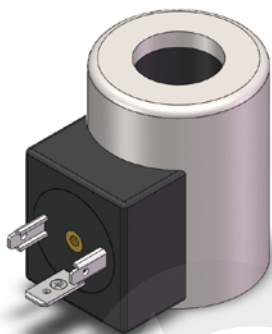
DC 12V
DC 24V

Other can be customized

technical parameter					
Ambient temperature	°C	-25 ~ 50	Degree of protection		IP67
Voltage fluctuation range	%	85 ~ 110	Power on duration	%	100
Rated power	W	22	Insulation class		H (180)

BYC06-19-02G

Customizable proportions



DC24V
AC220V

Other can be customized

technical parameter					
Ambient temperature	°C	-25 ~ 50	Degree of protection		IP65
Voltage fluctuation range	%	85 ~ 110	Power on duration	%	100
Rated power	W	22	Insulation class		H (180)

The sample data comes from the laboratory environment and is only for reference. If your company needs the latest data or has special needs, please contact Boye hydraulic engineer.