

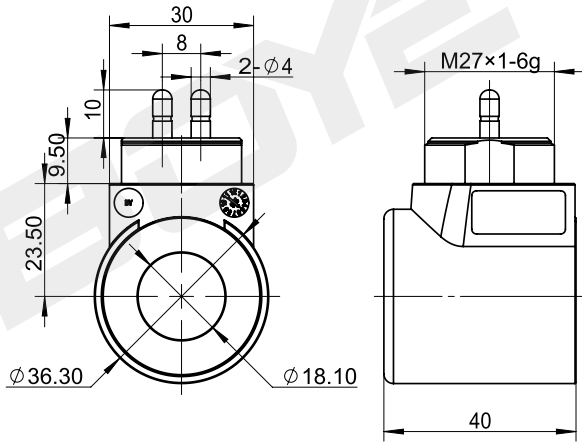
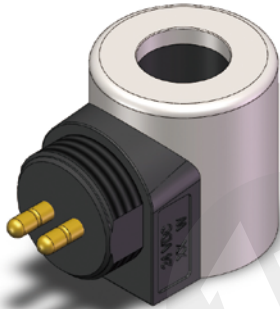
Coil for cartridge valve

BYC06-18-01K27

Customizable proportions

DC 12V
DC 24V

Other can be customized



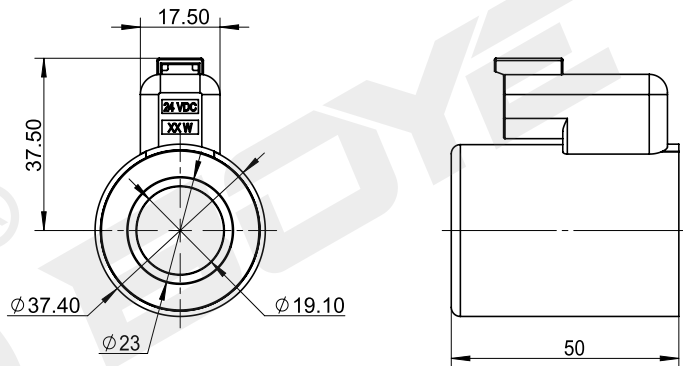
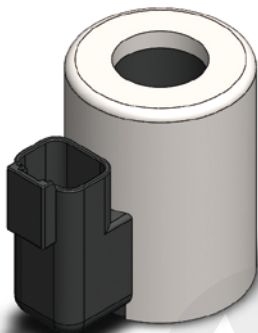
technical parameter					
Ambient temperature	°C	-25 ~ 50	Degree of protection		IP67
Voltage fluctuation range	%	85 ~ 110	Power on duration	%	100
Rated power	W	26	Insulation class		H (180)

BYC06-19-01D

Customizable proportions

DC 12V
DC 24V

Other can be customized



technical parameter					
Ambient temperature	°C	-25 ~ 50	Degree of protection		IP67
Voltage fluctuation range	%	85 ~ 110	Power on duration	%	100
Rated power	W	22	Insulation class		H (180)