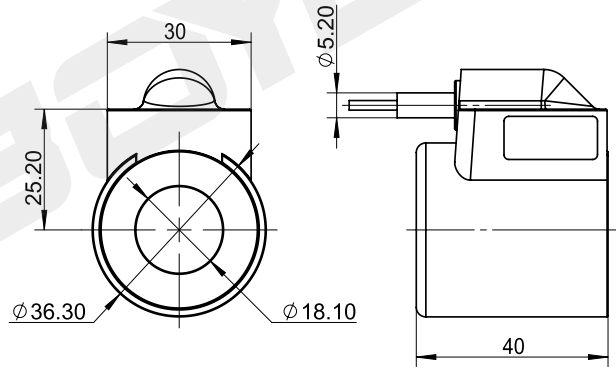
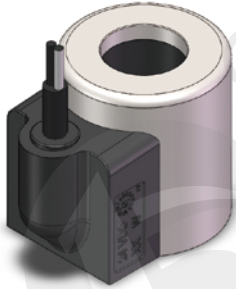


## Coil for cartridge valve

# BYC06-18-01H

Customizable proportions



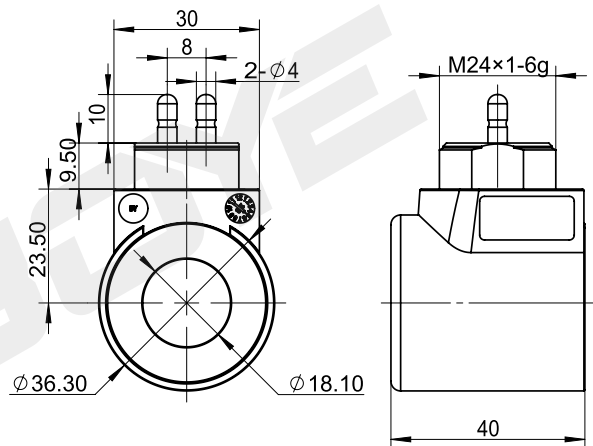
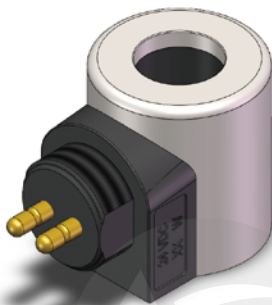
**DC 12V**  
**DC 24V**

Other can be customized

technical parameter					
Ambient temperature	°C	-25 ~ 50	Degree of protection		IP67
Voltage fluctuation range	%	85 ~ 110	Power on duration	%	100
Rated power	W	23	Insulation class		H (180)

# BYC06-18-01K24

Customizable proportions



**DC 12V**  
**DC 24V**

Other can be customized

technical parameter					
Ambient temperature	°C	-25 ~ 50	Degree of protection		IP67
Voltage fluctuation range	%	85 ~ 110	Power on duration	%	100
Rated power	W	23	Insulation class		H (180)