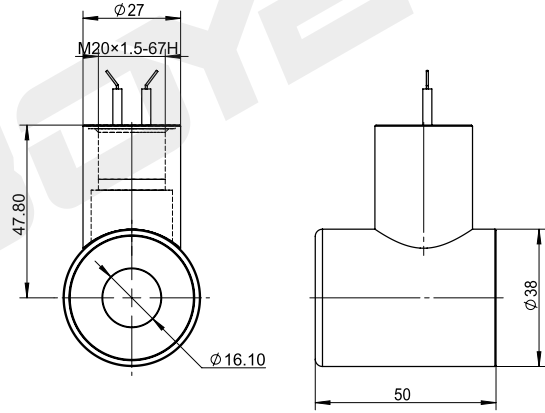
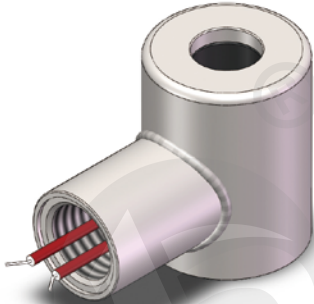


## Coil for cartridge valve

**DC 24V**  
**AC 220V**

Other can be customized

# BYC06-16-02L



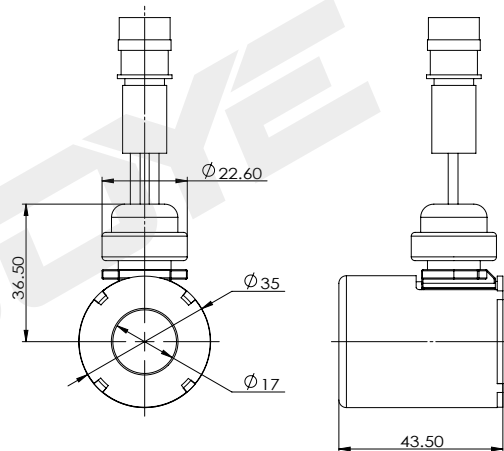
### technical parameter

Ambient temperature	°C	-25 ~ 50	Degree of protection		IP67
Voltage fluctuation range	%	85 ~ 110	Power on duration	%	100
Rated power	W	25	Insulation class		H (180)

# BYC06-17-01W

**DC 24V**  
**AC 220V**

Other can be customized



### technical parameter

Ambient temperature	°C	-25 ~ 50	Degree of protection		IP67
Voltage fluctuation range	%	85 ~ 110	Power on duration	%	100
Rated power	W	25	Insulation class		H (180)