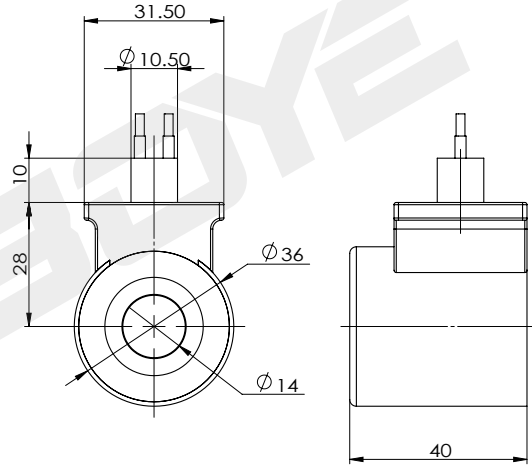
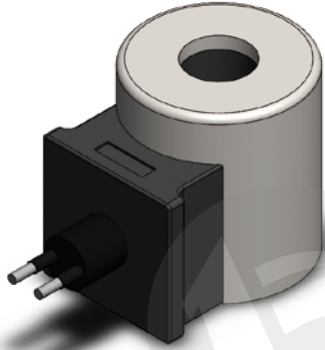


Coil for cartridge valve

**BYC06-14-01L**

**DC 24V**  
**AC 220V**

Other can be customized

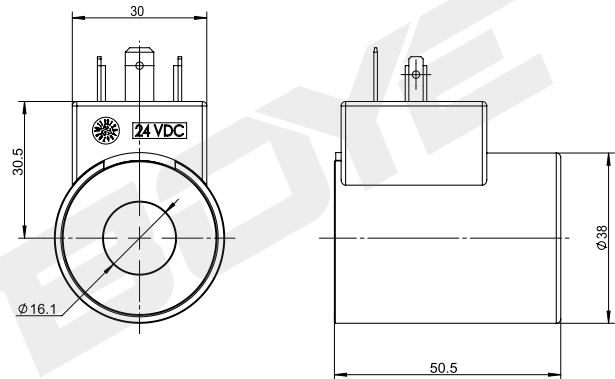
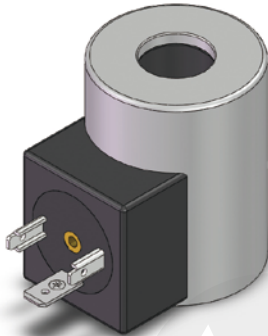


technical parameter					
Ambienttemperature	°C	-25 ~ 50	Degree of protection		IP67
Voltage fluctuation range	%	85 ~ 110	Power on duration	%	100
Rated power	W	28	Insulation class		H (180)

**BYC06-16-01G**

**DC 24V**  
**AC 220V**

Other can be customized



technical parameter					
Ambienttemperature	°C	-25 ~ 50	Degree of protection		IP65
Voltage fluctuation range	%	85 ~ 110	Power on duration	%	100
Rated power	W	25	Insulation class		H (180)