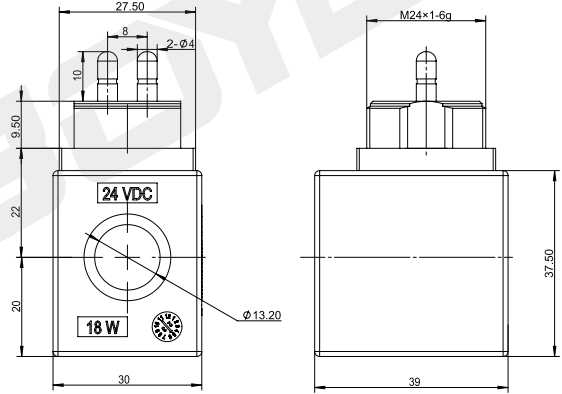
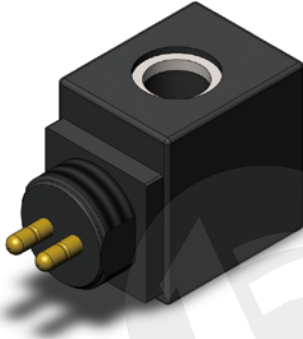


Coil for cartridge valve

**DC 12V**  
**DC 24V**

Other can be customized

**BYC04-13-02K24**

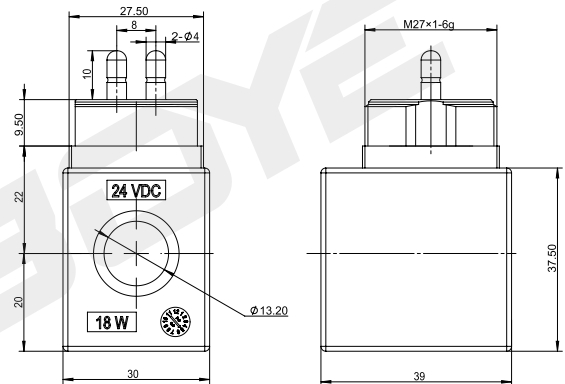
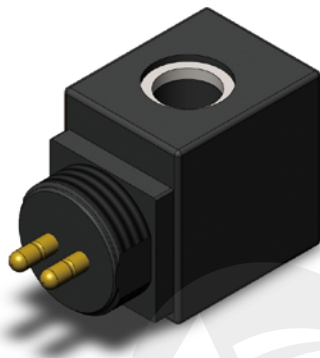


technical parameter					
Ambienttemperature	°C	-25 ~ 50	Degree of protection		IP67
Voltage fluctuation range	%	85 ~ 110	Power on duration	%	100
Rated power	W	18	Insulation class		H (180)

**DC 12V**  
**DC 24V**

Other can be customized

**BYC04-13-02K27**



technical parameter					
Ambienttemperature	°C	-25 ~ 50	Degree of protection		IP67
Voltage fluctuation range	%	85 ~ 110	Power on duration	%	100
Rated power	W	18	Insulation class		H (180)