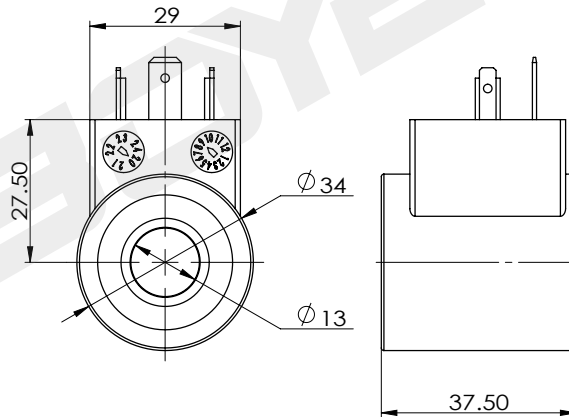
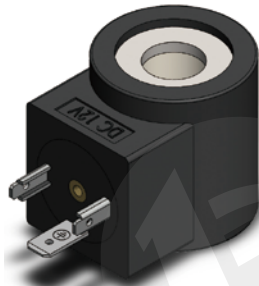


Coil for cartridge valve

BYC02-13-01G

DC 24V
AC 220V

Other can be customized

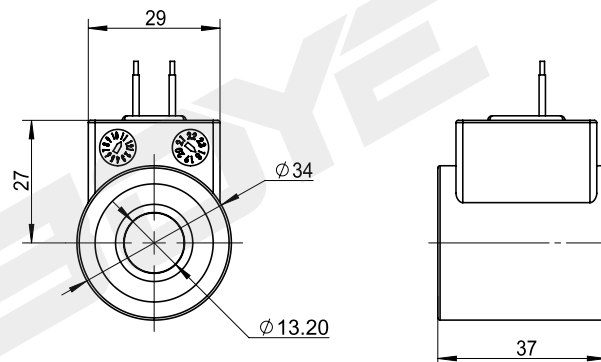
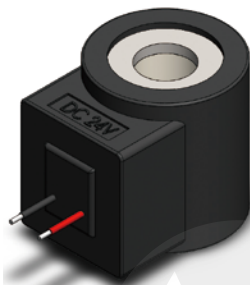


technical parameter					
Ambient temperature	°C	-25 ~ 50	Degree of protection		IP65
Voltage fluctuation range	%	85 ~ 110	Power on duration	%	100
Rated power	W	16/20	Insulation class		H (180)

BYC02-13-01L

DC 24V
AC 220V

Other can be customized



technical parameter					
Ambient temperature	°C	-25 ~ 50	Degree of protection		IP65
Voltage fluctuation range	%	85 ~ 110	Power on duration	%	100
Rated power	W	16/20	Insulation class		H (180)

The sample data comes from the laboratory environment and is only for reference. If your company needs the latest data or has special needs, please contact Boye hydraulic engineer.