

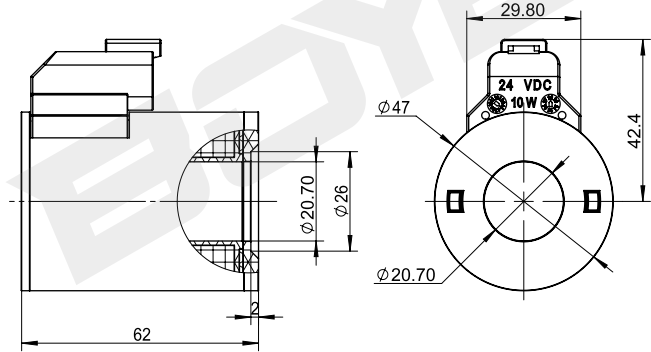
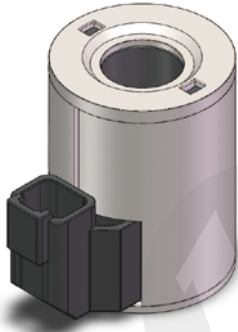
Coil for cartridge valve

BYC01-21-01D

proportional type

DC 12V
DC 24V

Other can be customized

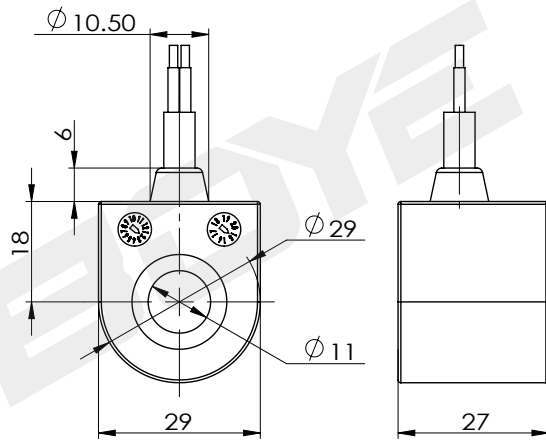


technical parameter					
Ambient temperature	°C	-25 ~ 50	Degree of protection		IP67
Voltage fluctuation range	%	85 ~ 110	Power on duration	%	100
Rated power	W	10	Insulation class		H (180)

BYC02-11-01H

DC 24V
AC 220V

Other can be customized



technical parameter					
Ambient temperature	°C	-25 ~ 50	Degree of protection		IP67
Voltage fluctuation range	%	85 ~ 110	Power on duration	%	100
Rated power	W	20	Insulation class		H (180)