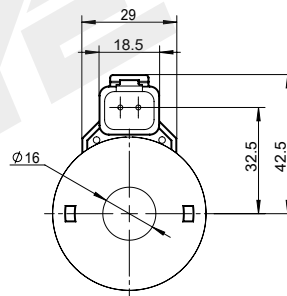
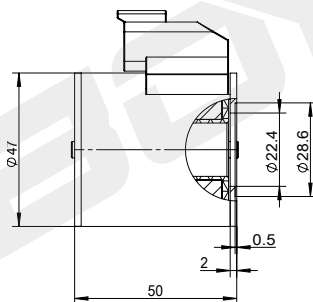
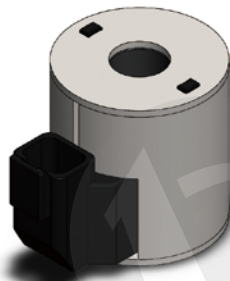


# 插装阀用线圈

Coil for cartridge valve

## BYC01-16-01D

可定制比例型  
Customizable proportions



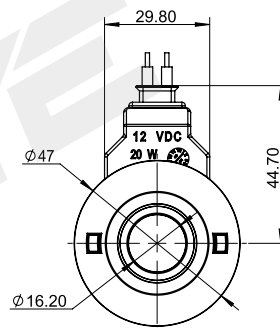
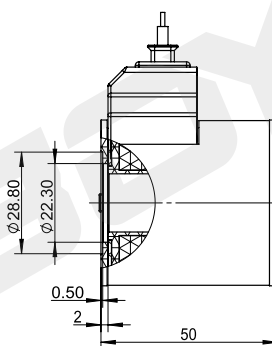
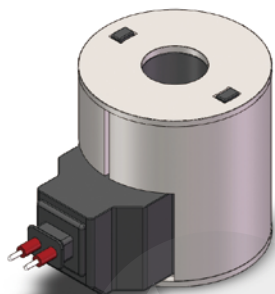
**DC 12V**  
**DC 24V**

其它规格可定做  
Other can be customized

技术参数 /technical parameter					
环境温度 Ambienttemperature	°C	-25 ~ 50	防护等级 Degree of protection		IP67
电压波动范围 Voltage fluctuation range	%	85 ~ 110	通电持续率 Power on duration	%	100
额定功率 Rated power	W	20/28	绝缘等级 Insulation class		H (180)

## BYC01-16-01L

可定制比例型  
Customizable proportions



**DC 24V**  
**AC 220V**

其它规格可定做  
Other can be customized

技术参数 /technical parameter					
环境温度 Ambienttemperature	°C	-25 ~ 50	防护等级 Degree of protection		IP67
电压波动范围 Voltage fluctuation range	%	85 ~ 110	通电持续率 Power on duration	%	100
额定功率 Rated power	W	20/28	绝缘等级 Insulation class		H (180)

样本数据来源于试验室环境，仅供参考，贵公司如需最新数据或有特殊需求，欢迎联系博业液压工程师。  
The sample data comes from the laboratory environment and is only for reference. If your company needs the latest data or has special needs, please contact Boye hydraulic engineer.